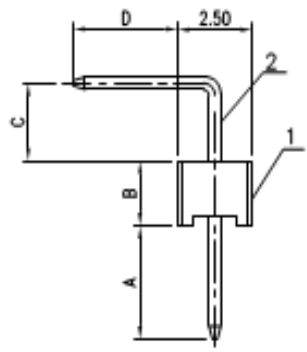
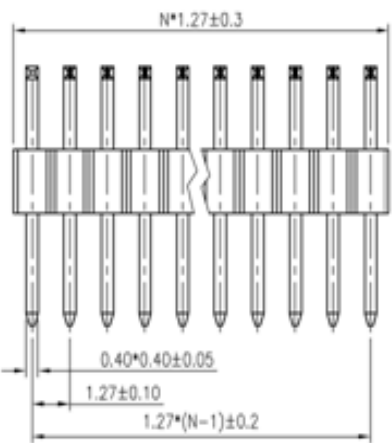
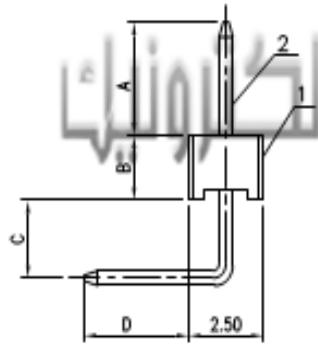
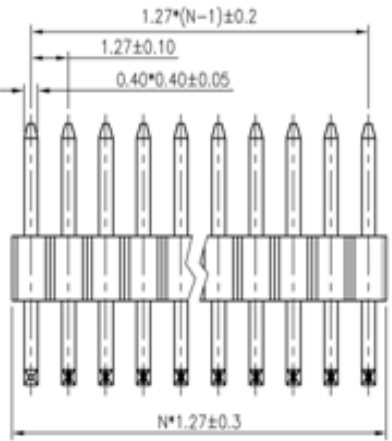


REV.	DESCRIPTION	DRAWN	CHECKED	APPROVED
A	NEW RELEASE	YCH 06/20/08'	~	LJC 06/20/08'
B	اصلاحات	YCH 03/15/11'	~	

R1 TYPE



R2 TYPE

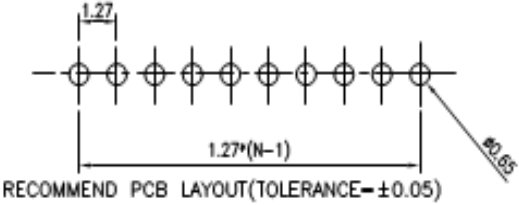


- NOTES:
- MATERIAL
 - INSULATOR:PA-46.
 - CONTACT MATERIAL:COPPER ALLOY.
 - SPECIFICATION
 - CURRENT RATING:1.0 Amp.
 - INSULATION RESISTANCE:500MΩ Min.
 - DIELECTRIC WITHSTANDING:300VAC.
 - CONTACT RESISTANCE:50mΩ Max.
 - OPERATING TEMPERATURE:-40°C TO+105°C.
 - PART NUMBER: YE 1031-02
 - PRODUCT NUMBER CODE:

YE 1031-02 - X X X X X X X X

- CONTACT BEND TYPE
 - 1: R1 TYPE
 - 2: R2 TYPE
- DIM.A B C TYPE
 - 1: TYPE 1
 - 2: TYPE 2
 - ...
- HOUSING HEIGHT(DIM. B)
 - 1: 1.00mm
 - 2: 1.50mm
 - 3: 2.00mm
- MOUNTING TYPE
 - R: RIGHT ANGLE TYPE
- HOUSING COLOR
 - B:BLACK
- CONTACT PLATING
 - B: FULL GOLD FLASH
- CONNECTOR TYPE
 - P:PLUG
- No.OF CONTACTS
 - 1*1-1*40
- SERIES No.
 - YE 1031-02

TYPE	DIM A	DIM B	DIM C
1	3.50	3.50	2.10
2	0.80	3.50	1.00
3			
4			
5			
6			
7			
8			
9			



GENERAL TOLERANCE		ANGLE TOLERANCE	
X.	±0.60	X.	±5°
.X	±0.38	.X	±3°
.XX	±0.25	.XX	±2°

PROJECTION	TITLE
UNITS	1.27mm PITCH PIN HEADER SINGLE ROW RIGHT ANGLE
SHEET SIZE	SERIES YE 1031-02 SERIES

ITEM	PART NAME	PART NO.	MATERIALS	FINISHED	DRAWING NO.	CUSTOMER
2	CONTACT		COPPER ALLOY	GOLD PLATED	DRAWING TYPE	CUSTOMER
1	HOUSING		THERMOPLASTIC	UL 94 V-0	SCALE	1:1 SHEET 1 OF 1
					DRAWING NO.	C-YE 1031-02-XXXXXXX

شركة يكتا الكترونك