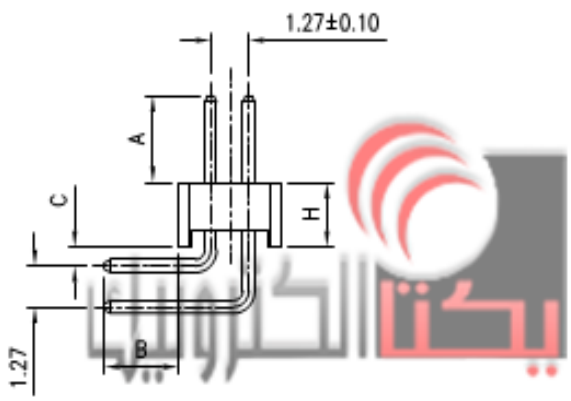
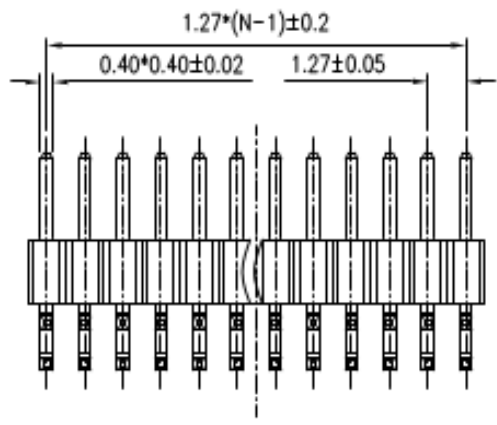
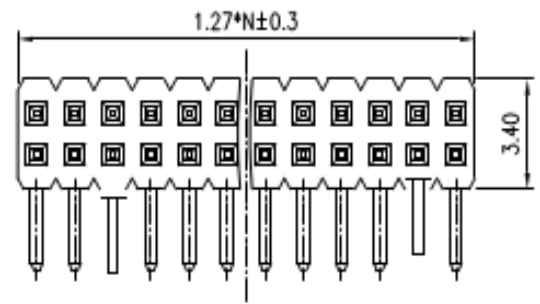
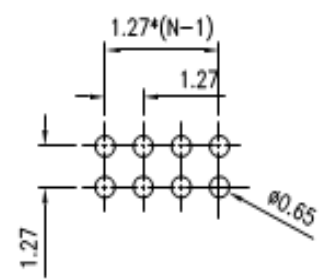


REV.	DESCRIPTION	DRAWN	CHECKED	APPROVED
A	NEW RELEASE	YCH 11/13/07	~	



N: HALF OF CONTACTS

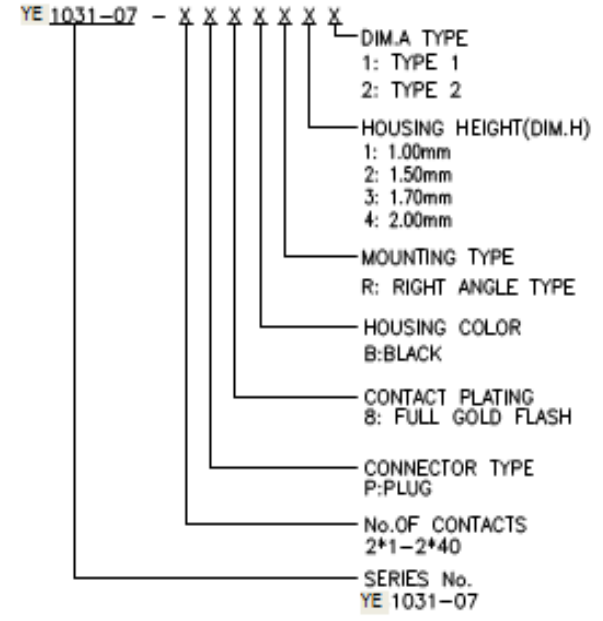


RECOMMEND PCB LAYOUT(TOLERANCE=±0.05)

TYPE	DIM A	DIM B	DIM C
1	2.70	2.50	1.60
2	3.80	2.00	2.50
3			

NO. S:

- MATERIAL
 - INSULATOR: PA-46(UL 94V-0).
 - CONTACT MATERIAL: COPPER ALLOY.
- SPECIFICATION
 - CURRENT RATING: 1.0 Amp.
 - INSULATION RESISTANCE: 500MΩ Min.
 - DIELECTRIC WITHSTANDING: 300VAC.
 - CONTACT RESISTANCE: 50mΩ Max.
 - OPERATING TEMPERATURE: -40°C TO +105°C.
- PART NUMBER: YE 1031-07
- PRODUCT NUMBER CODE:



GENERAL TOLERANCE		ANGLE TOLERANCE		PROJECTION		TITLE	DUAL ROW RIGHT ANGLE		
X.	±0.60	X.	±5'	UNITS	mm	SHEET	YE 1031-07 SERIES		
.X	±0.38	.X	±3'	SHEET SIZE	A4	SERIES	YE 1031-07 SERIES		
.XX	±0.25	.XX	±2'						
DRAWING TYPE		CUSTOMER							
SCALE		1:1	SHEET						1 OF 1
DRAWING NO.		C-YE 1031-07-XXXXXXX							