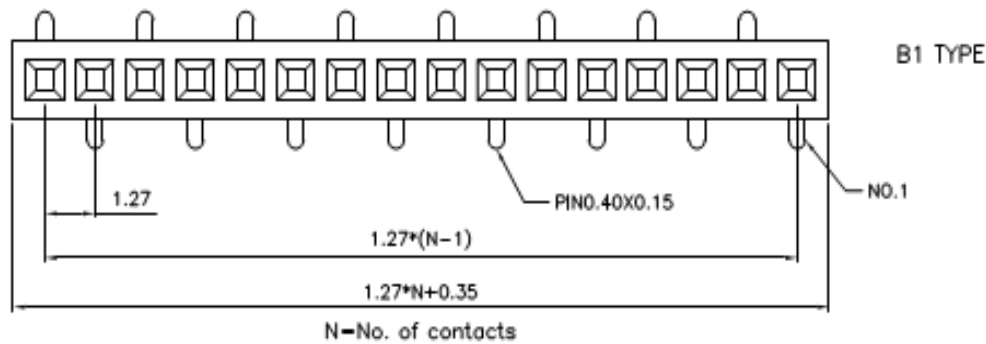
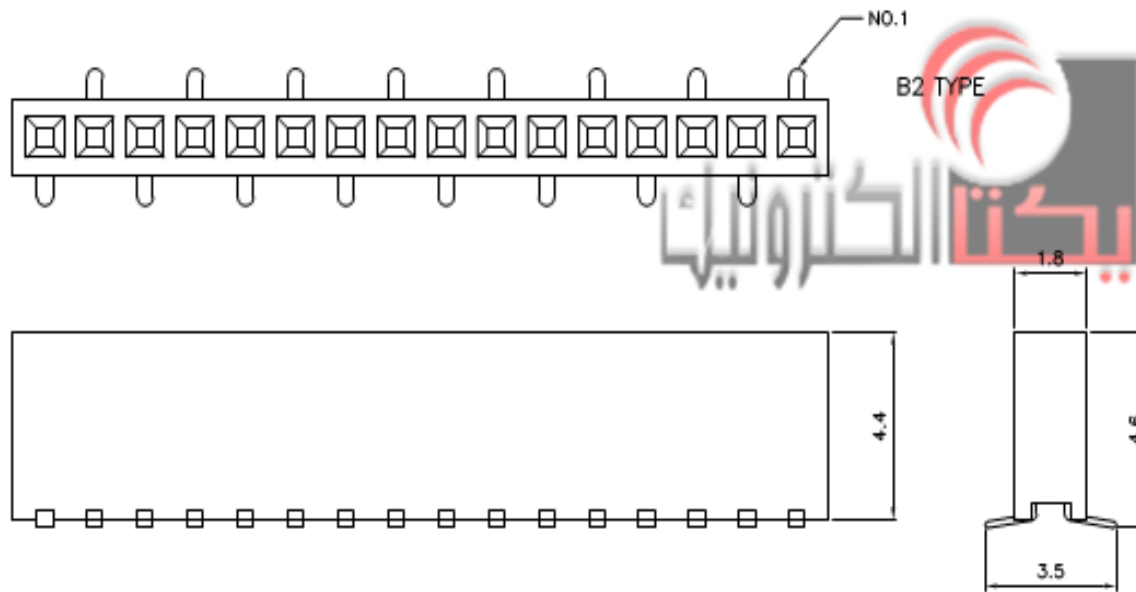


REV.	DESCRIPTION	DRAWN	CHECKED	APPROVED
A	NEW RELEASE	HP 25/06/05		



N=No. of contacts



NOTES:

1. SPECIFICATIONS

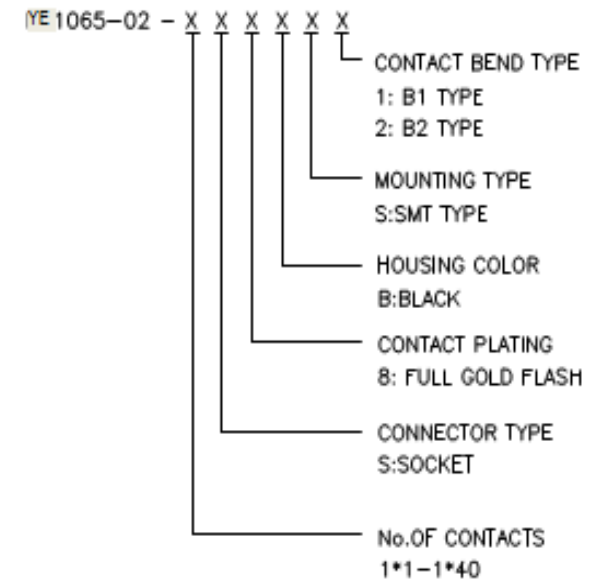
- . Current Rating: 1A
- . Insulation Resistance: 500MΩ Min
- . Dielectric Withstanding: 300V AC
- . Contact Resistance: 30mΩ Max
- . Operating Temperature: -20°C to +70°C

2. MATERIALS

- . Contact Material: Copper alloy
- . Insulator: PA-46(UL94V-0)

3. PART NUMBER: YE 1065-02

4. PRODUCT NUMBER CODE:



GENERAL TOLERANCE		ANGLE TOLERANCE		PROJECTION		TITLE	FEMALE HEADER PITCH 1.27mm TYPE
X.	±0.60	X.	±5°	UNITS	mm		SINGLE ROW S.M.T
.X	±0.38	.X	±3°	SHEET SIZE	A4	SERIES	YE 1065-02
.XX	±0.25	.XX	±2°	<p>شركة يكتا الكترونيك</p>			
DRAWING TYPE		CUSTOMER					
SCALE		1:1	SHEET 1 OF 1				
DRAWING NO.		C-YE 1065-02-XXXXXX					