

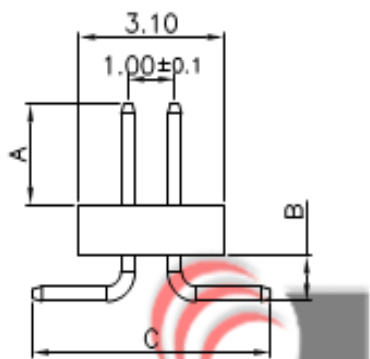
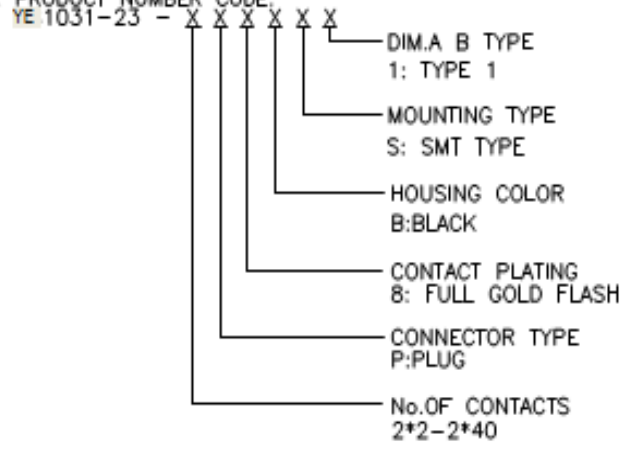
REV.	DESCRIPTION	DRAWN	CHECKED	APPROVED
A	NEW RELEASE	YCH 03/24/09	~	

NOTES:

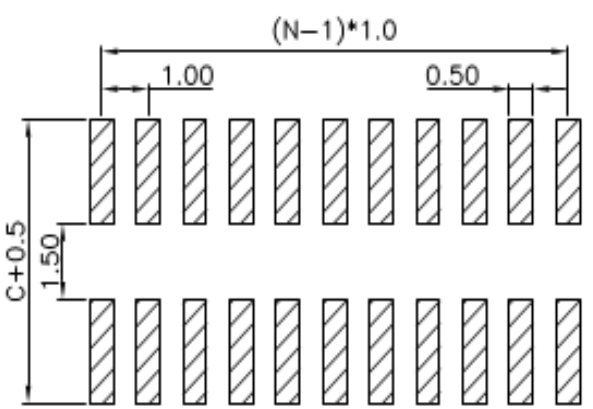
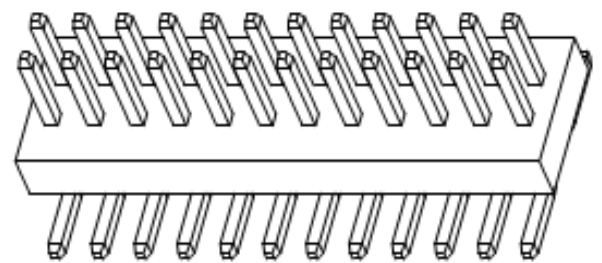
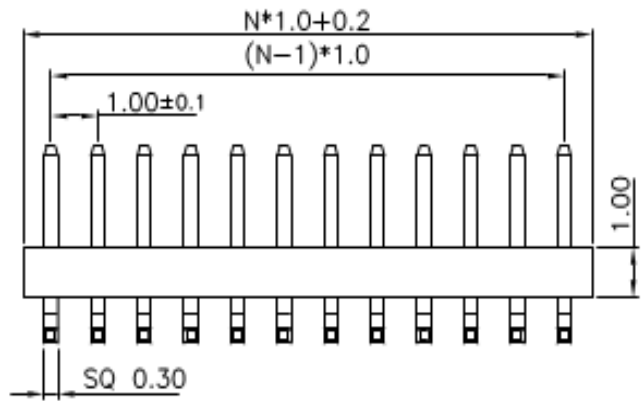
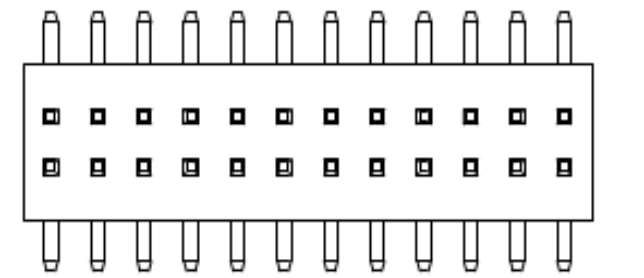
- MATERIAL
  - INSULATOR:PA-46(UL 94V-0).
  - CONTACT MATERIAL:COPPER ALLOY.
- SPECIFICATION
  - CURRENT RATING:1.0 Amp.
  - INSULATION RESISTANCE:500MΩ Min.
  - DIELECTRIC WITHSTANDING:600VAC.
  - CONTACT RESISTANCE:20mΩ Max.
  - OPERATING TEMPERATURE:-45°C TO+10°C.

3. PART NUMBER: YE1031-23

4. PRODUCT NUMBER CODE:



TYPE	DIM A	DIM B	DIM C
1	2.00	0.90	5.10
2			
3			
4			
5			
6			
7			
8			



RECOMMEND PCB LAYOUT(TOLERANCE=±0.05)

GENERAL TOLERANCE		ANGLE TOLERANCE	
X.	±0.60	X.	±5°
.X	±0.38	.X	±3°
.XX	±0.25	.XX	±2°

PROJECTION	TITLE
UNITS mm	DUAL ROW PIN HEADER PITCH 1.0mm SMT TYPE
SHEET SIZE A4	SERIES YE 1031-23 SERIES

DRAWING TYPE	CUSTOMER
SCALE 1:1	SHEET 1 OF 1
DRAWING NO. C-YE 1031-23-XXXXXX	

شركة يكتا الكترونيك

