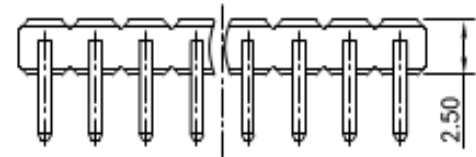
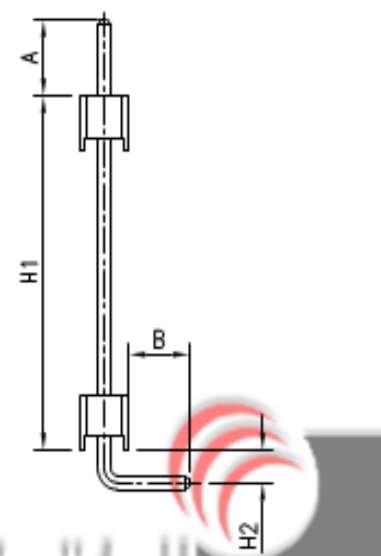
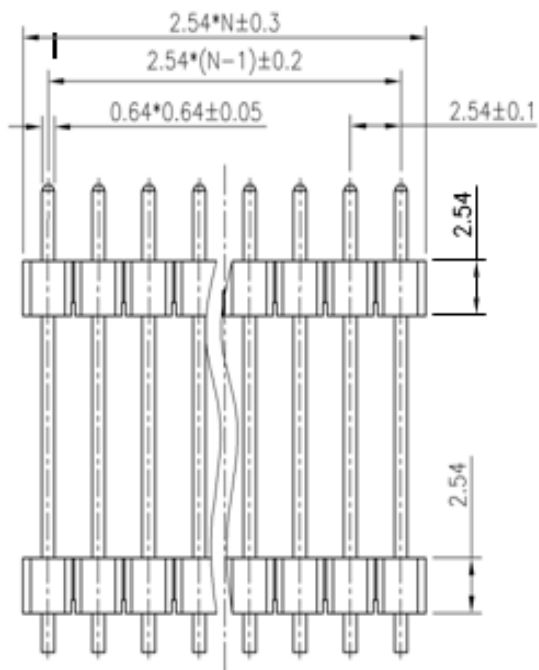
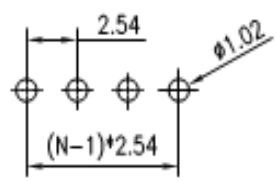


REV.	DESCRIPTION	DRAWN	CHECKED	APPROVED
A	NEW RELEASE	YCH 05/19/08'	~	



N: NUMBER OF CONTACTS



RECOMMEND PCB LAYOUT(TOLERANCE=±0.05)

NOTES:

- MATERIAL
  - INSULATOR:PA-46(UL 94V-0).
  - CONTACT MATERIAL:COPPER ALLOY.
- SPECIFICATION
  - CURRENT RATING:1.5 Amp.
  - INSULATION RESISTANCE:1000MΩ Min.
  - DIELECTRIC WITHSTANDING:600VAC.
  - CONTACT RESISTANCE:50mΩ Max.
  - OPERATING TEMPERATURE:-40°C TO+105°C.
- PART NUMBER: YE 1029-02
- PRODUCT NUMBER CODE:

YE 1029-02 - X X X X X X

- DIM.A B H1 H2 YPE
- 1: TYPE 1
- 2: TYPE 2
- MOUNTING TYPE
- R: RIGHT ANGLE TYPE
- HOUSING COLOR
- B:BLACK
- CONNECTOR PLATING
- 8: FULL GOLD FLASH
- CONECT TYPE
- P: PLUG
- No.OF CONTACTS
- 1\*1-1\*40
- SERIES No.
- YE 1029-02

TYPE	DIM A	DIM B	DIM H1	DIM H2	PIN LENGTH
1	3.50	3.00	16.33	1.50	25.10
2	3.50	3.00	6.33	1.50	15.10
3					
4					
5					
6					
7					
8					
9					
10					
11					
12					

GENERAL TOLERANCE	ANGLE TOLERANCE
X. ±0.60	X. ±5°
.X ±0.38	.X ±3°
.XX ±0.25	.XX ±2°

PROJECTION	TITLE
mm	2.54mm PITCH PIN HEADER SINGLE ROW RIGHT ANGLE
SHEET SIZE	SERIES
A4	YE 1029-02 SERIES

DRAWING TYPE	CUSTOMER
SCALE	1:1 SHEET 1 OF 1
DRAWING NO.	C-YE 1029-02-XXXXXX

شركة يكتا الكترونك

