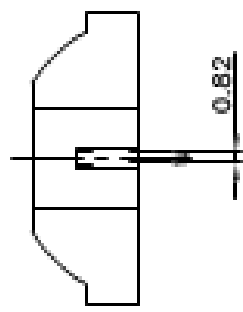
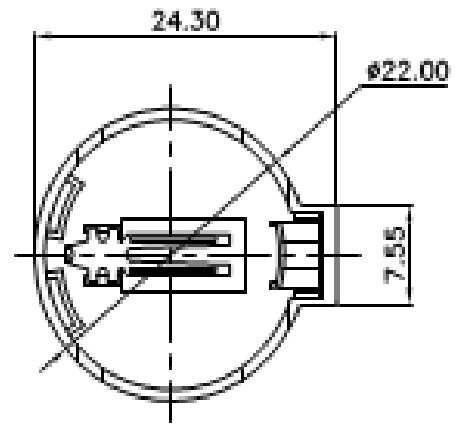


REV.	DESCRIPTION	DRAWN	CHECKED	APPROVED
A	NEW RELEASE	YCH 08/07/12'		

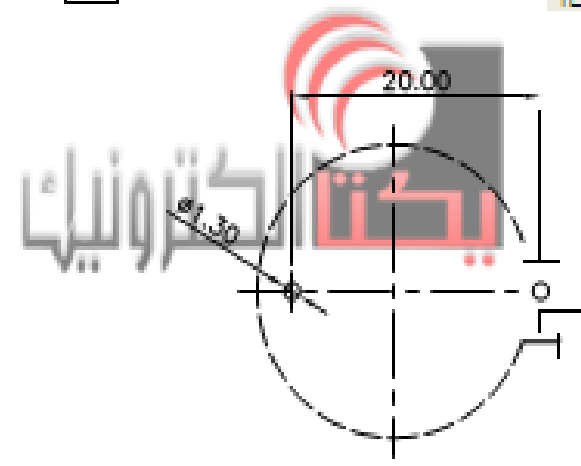
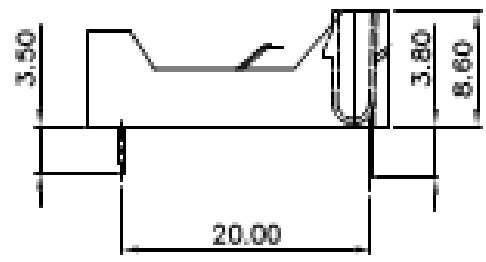


NOTF:

- Materials:
 - 1.1 Base: Thermoplastic, UL94 V-0, Color of black. Temp. Range: -40°C to +105°C.
 - 1.2 Positive & Negative Contacts: Copper Alloy.
- Specification:
 - 2.1 Dielectric Withstanding Voltage: AC 500V AC.
 - 2.2 Insulation Resistance: 1000MΩ min.
 - 2.3 Contact Resistance: 100mΩ Max.
- Part Number Code:

YE 1092-04 - X X X

- Housing material: P: PBT
- Contact plating: 6: Tin
- Housing color: B: Black



Recommend PCB Layout
Tolerance=±0.05

GENERAL TOLERANCE		ANGLE TOLERANCE		PROJECTION	TITLE	
X.	±0.60	X.	±5'		2032 Lithium Coin Cell Battery Holders Horizontal Insert type	
.X	±0.38	.X	±3'	UNITS		mm
.XX	±0.25	.XX	±2'	SHEET SIZE		A4
DRAWING TYPE		CUSTOMER		SERIES	YE 1092-04 Series	
SCALE	1:1	SHEET	1 OF 1			
DRAWING NO.	C-YE 1092-04-XXX-A					

شركت يكتا الكترونيك

