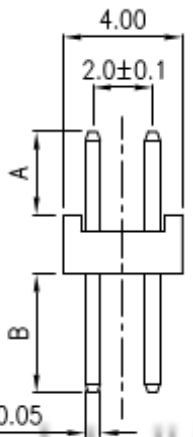
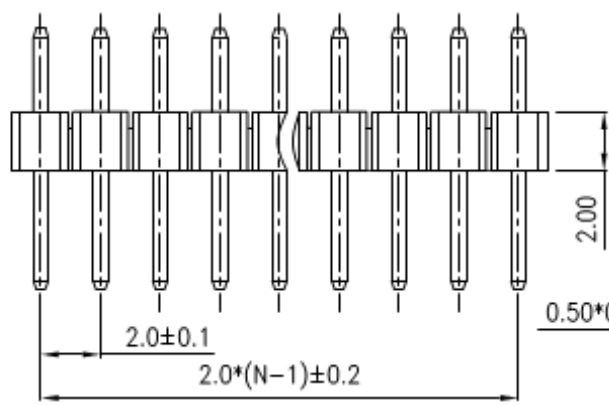
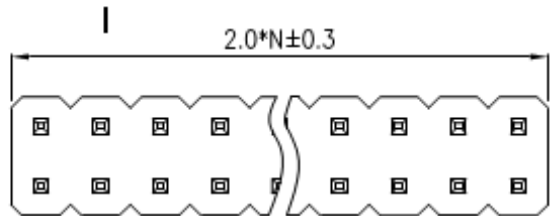
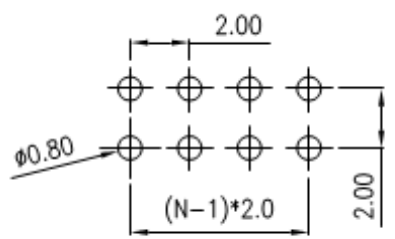


REV.	DESCRIPTION	DRAWN	CHECKED	APPROVED
A	NEW RELEASE	LJH 06/21/05'		
B	ADD DIM	LL 10/30/06'		
C	ADD DIM	LL 11/28/06'		



A&B: CUSTOMER LENGTH AVAILABLE
N: HALF OF CONTACTS



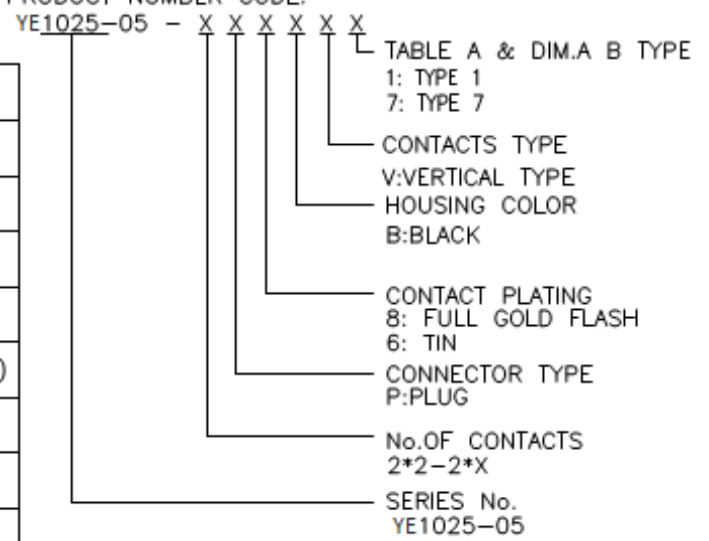
RECOMMEND PCB LAYOUT(TOLERANCE=±0.05)

NOTES:

- MATERIAL&FINISHES
 - INSULATOR:THERMOPLASTIC(UL 94V-0).
 - CONTACT MATERIAL: COPPER ALLOY.
- SPECIFICATION
 - CURRENT RATING:1.5 Amp.
 - INSULATION RESISTANCE:1000MΩ Min.
 - DIELECTRIC WITHSTANDING:600VAC.
 - CONTACT RESISTANCE:20mΩ Max.
 - OPERATING TEMPERATURE:-20°C TO +80°C.
- PART NUMBER: YE1025-05
- PRODUCT NUMBER CODE:

TABLE A:

TYPE	Dimension	
	A	B
1	2.80	4.00
2	3.50	5.08
3	10.00	2.00
4	2.80	10.20
5	4.00	8.00
6	2.50	4.30
7	2.80	3.90
8		



GENERAL TOLERANCE	
X.	±0.60
.X	±0.38
.XX	±0.25

ANGLE TOLERANCE	
X.	±5'
.X	±3'
.XX	±2'

PROJECTION	TITLE
UNITS	mm
SHEET SIZE	A4

DUAL ROW STRAIGHT	
SERIES	YE1025-05 SERIES

2	CONTACT		COPPER ALLOY	GOLD PLATED	DRAWING TYPE	CUSTOMER
1	HOUSING		THERMOPLASTIC	UL 94 V-0	SCALE	1:1 SHEET 1 OF 1
ITEM	PART NAME	PART NO.	MATERILAS	FINISHED	DRAWING NO.	C- YE1025-05-XXXXX

شركة يكتا الكترونك

