

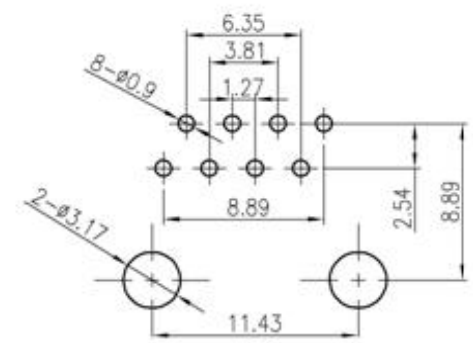
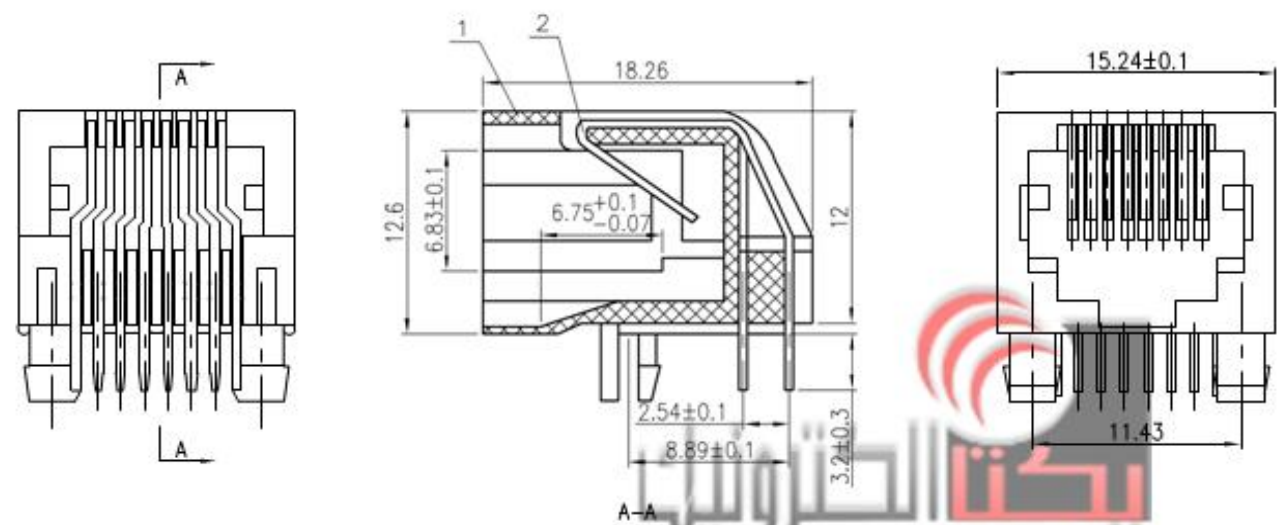
REV.	DESCRIPTION	DRAWN	CHECKED	APPROVED
A	NEW RELEASE	LL 06/26/06'		

**SPECIFICATION**

1. Insulation Resistance:1000MΩ Min.
2. Withstand Voltage:500V AC/Minute.
3. Durability:600 Mating Cycles Min.
4. Product Number Code:

YE1134-04-X X X X X

- Housing Materials  
P:PBT  
N:NYLON
- Housing Color  
B:Black
- Contact Plating  
0:Gold Flash  
3:Selective 3u" Gold  
(6;15;30)Micro Inch
- No.Of Contacts  
8:8PBC
- Connector Type  
S:Socket
- Series No.  
YE1134-04



RECOMMEND PCB LAYOUT(TOLERANCE=±0.05)

GENERAL TOLERANCE		ANGLE TOLERANCE		PROJECTION	TITLE	
X	±0.60	X	±5'		PCB JACK 8P	
.X	±0.38	.X	±3'	UNITS	mm	
.XX	±0.25	.XX	±2'	SHEET SIZE	A4	SERIES YE1134-04 SERIES

(2)	PIN	PHOSPHOR BRONZE	GOLD PLATING OVER NICKEL
(1)	HOUSING	PBT OR NYLON	UL94 V-0 OR 94 V-2
No.	PART NAME	Q'TY	MATERAIL
			REMARK

DRAWING TYPE	CUSTOMER		
SCALE	1:1	SHEET	1 OF 1
DRAWING NO.	C- YE1134-04-XXXXX		

شركة يكتا الكترونيك

