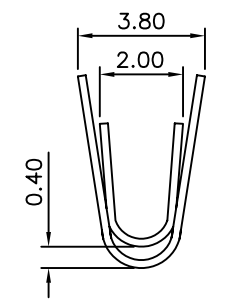
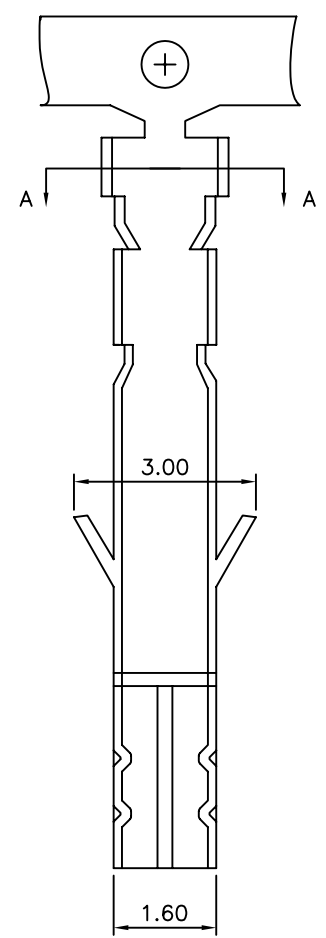
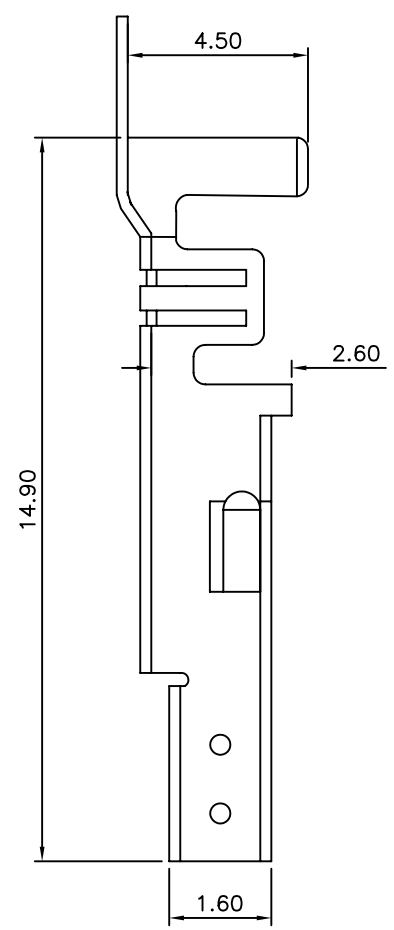


SPECIFICATIONS

Material: Brass
 Finish: Tin Plated
 Hardness: H/SH
 Thickness: 0.20mm
 Q'ty: 5000 Pcs/Roll
 ⚠ ⚠ Wire Range: AWG#16~#22



Section A-A



DRAWING No.		APPROVED BY		UNLESS OTHERWISE SPECIFIED					
02287 0246MEC10		MEI		TOLERANCES ARE					
		CHECKED BY		.X ±0.38		⚠ A2	Modify AWG#16~#20—AWG#16~#22	BECKY	03/16/2006
		DRAWING BY		.XX ±0.25		⚠ A1	Add Wire Range	BECKY	12/21/2005
		REV.		ANG.		⚠ A	NEW RELEASE	RAN	
SCALE	NONE	REV.	A2	UNIT	mm	NO.REV.	REVISIONS	CHK	DATE