

REV.	DESCRIPTION	DRAWN	CHECKED	APPROVED
A	NEW RELEASE	YCH 02/01/07	~	LJC 02/01/07
B	تعديل	YCH 08/15/07	~	LJC 08/15/07
C	Arrangement drawings	JLZ 03/19/15'	~	

NOTES:

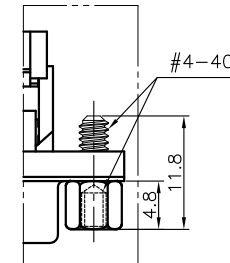
- ELECTRICAL CHARACTERISTICS:
  - CONTACT RESISTANCE: 30mΩ Max.INITIAL.
  - DIELECTRIC WITHSTANDING VOLTAGE:500V AC(rms) FOR 1 MINUTE.
  - INSULATION RESISTANCE:1000MΩ Min.
- MECHANICAL CHARACTERISTICS:
  - DURABILITY: 300 CYCLES.
- ENVIRONMENT CHARACTERISTICS:
  - TEMPERATURE RANGE: -40°C~+105°C.
- PRODUCT NUMBER CODE:

YE1036 - XX X X X X X X

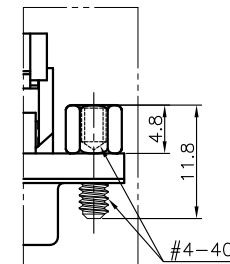
- SCREW TYPE
- X:W/O SCREW
- 1:CC TYPE
- 2:CS TYPE
- RIVET TYPE
- P:W/ THREAD(UNC #4-40)
- N:W/O THREAD
- CONTACT PLATING
- Si: SELECTIVE GOLD FLASH
- HOUSING COLOR
- U:BLUE
- B:BLACK
- STRAIN RELIEF
- P:W/
- N:W/O
- CONNECTOR TYPE
- M:MALE
- F:FEMALE
- No.OF CONTACTS
- 09:9pos 15:15pos
- 25:25pos 37:37pos

Position	D±0.2			E±0.2		
	A±0.1	B±0.2	C±0.2	Male	Female	
9P	10.16	30.80	24.99	17.90	16.33	19.00
15P	17.78	39.14	33.32	26.50	24.66	27.34
25P	30.48	53.04	47.04	40.00	38.38	41.24
37P	45.72	69.32	63.50	56.50	54.84	57.52

W/O SCREW TYPE

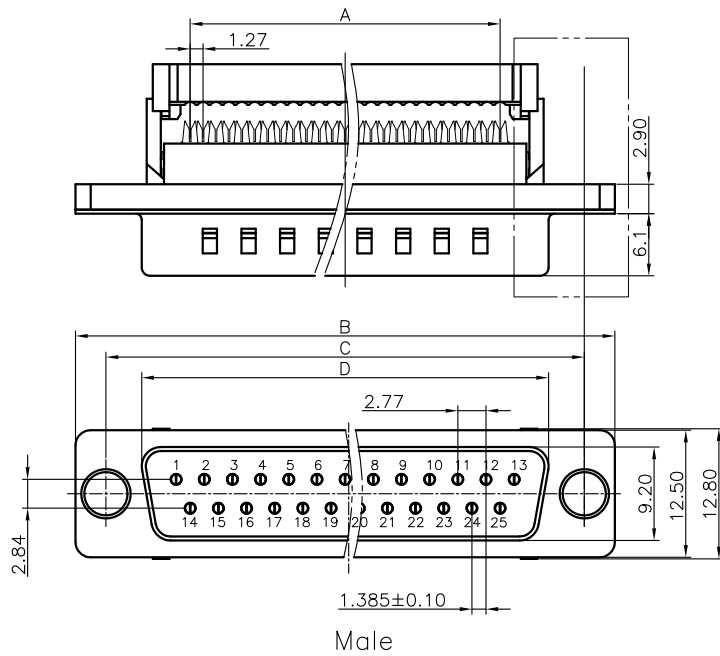
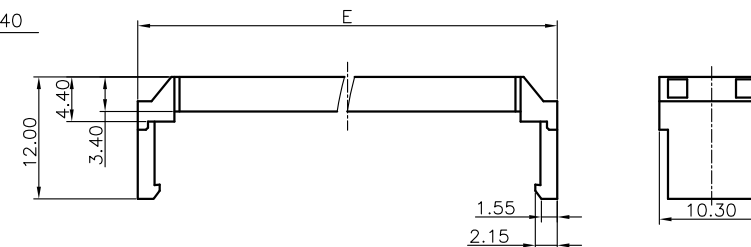


CC TYPE

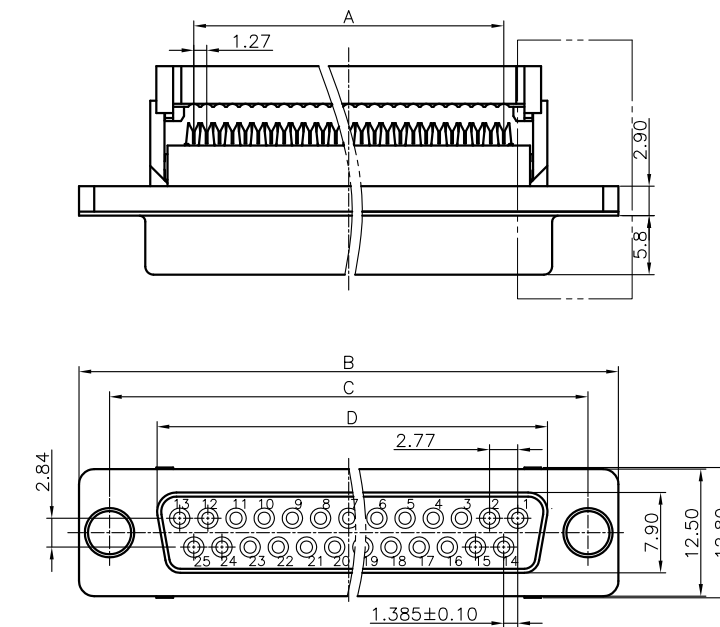


CS TYPE

UPPER COVER



Male



Female

GENERAL TOLERANCE		ANGLE TOLERANCE	
X.	±0.60	X.	±3°
.X	±0.38	.X	±2°
.XX	±0.25	.XX	±1°
DRAWING TYPE		CUSTOMER	
SCALE	1:1	SHEET	1 OF 1
DRAWING NO.			