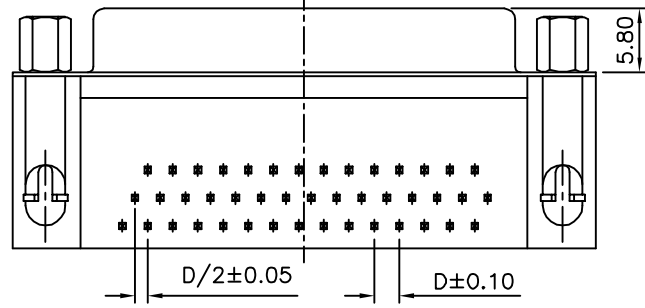
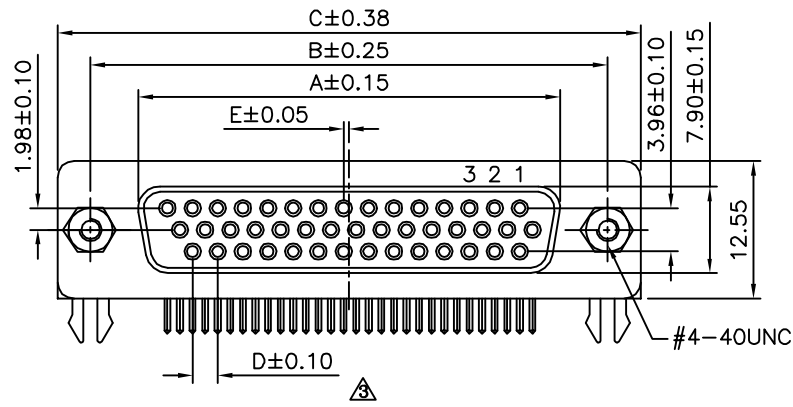
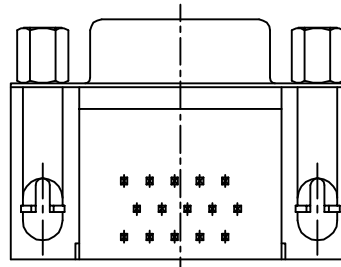


△ SPECIFICATION

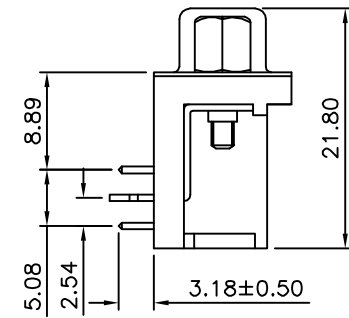
Current Rating:5 Amp
 Withstanding Voltage:1000V(1 Minute)
 Insulation Resistance:1000 Megaohms Min. At 500V DC
 Operating Temperature:-50°C~+105°C
 Shell:SPCC,Nickel Plated
 Insulator:PBT+30%G.F.(UL94V-0),Black
 Contact:Brass,Gold Flash On Contact Area,
 Tin Plated On Solder Tail,Under Nickel
 Z Flake:SPCC,Tin Plated
 Screw:12L14,Nickel Plated
 RoHS Compliant



△△ 26,44,62 Pin



△△ 15 Pin



△△

Pin.	A	B	C	D	E
15	16.33	24.99	30.81	2.29	0.25
26	24.80	33.32	39.20	2.29	0.50
44	38.38	47.04	53.04	2.29	0.50
62	54.84	63.50	69.40	2.41	0.60



DRAWING No. 02632

APPROVED BY MEI
 CHECKED BY HZF
 DRAWING BY SONG

UNLESS OTHERWISE SPECIFIED TOLERANCES ARE
 .X ±0.38 .X* ±3*
 .XX ±0.25 .XX* ±1*
 .XXX ±0.05 .XXX* ±0.5

NO.	REV.	REVISIONS	CHK	DATE
△	A4	Modify Data	HZF	07/18/2011
△	A3	Modify Data	HZF	12/20/2010
△	A2	Modify Data	HZF	09/09/2009
△	A1	Add 62 Pin	HZF	10/29/2007
△	A0	NEW RELEASE	HZF	02/16/2007

SCALE NONE

REV. A4

UNIT mm