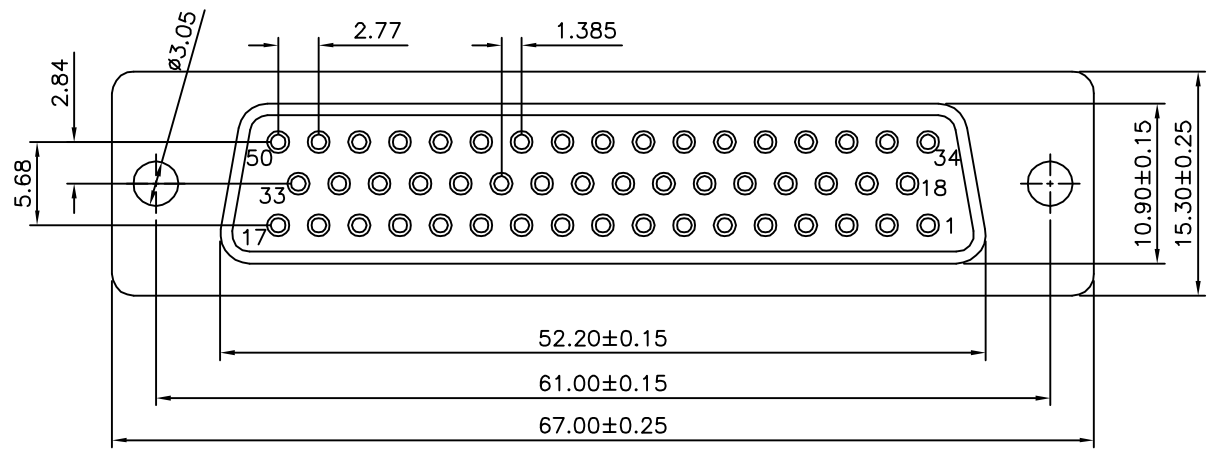
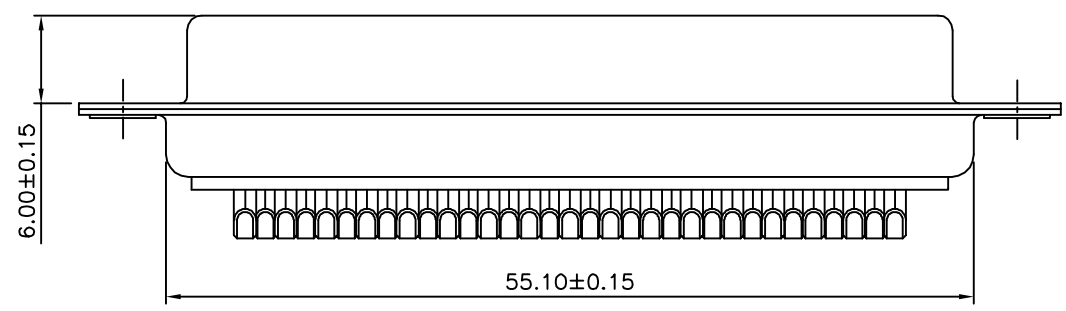


**△ SPECIFICATION**

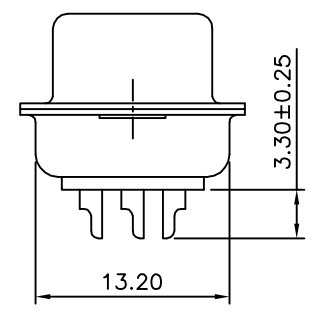
Current Rating:5 Amp  
 Withstand Voltage:1000V AC  
 Contact Resistance:20 Milliohms Max.  
 Insulation Resistance:1000 Megaohms Min.  
 Operation Temperature:-55°C~+105°C  
 Housing:PBT+30%G.F.(UL94V-0),Blue  
 Contact:Brass,Gold Flash On Contac Area,  
 Tin Plated On Solder Tail,Under Nickel  
 Front Shell:SPCC,Nickel Plated Over Copper  
 Back Shell:SPCC,Tin Plated Over Copper  
 RoHS Compliant



△



△



△



|             |      |             |    |   |
|-------------|------|-------------|----|---|
| DRAWING No. |      | APPROVED BY |    | UNLESS OTHERWISE SPECIFIED TOLERANCES ARE |
| 03351       |      | MEI         |    |   |
|             |      | HZF         |    |   |
|             |      | DRAWING BY  |    | .X ±0.25 .X* ±3*                          |
|             |      | QQJ         |    | .XX ±0.15 .XX* ±1*                        |
| SCALE       | NONE | REV.        | A1 | .XXX ±0.05 .XXX* ±0.5*                    |

|      |      |             |     |            |
|------|------|-------------|-----|------------|
| NO.  | REV. | REVISIONS   | CHK | DATE       |
| △ A1 |      | Modify Data | HZF | 07/29/2010 |
| △ A0 |      | NEW RELEASE | HZF | 01/10/2008 |