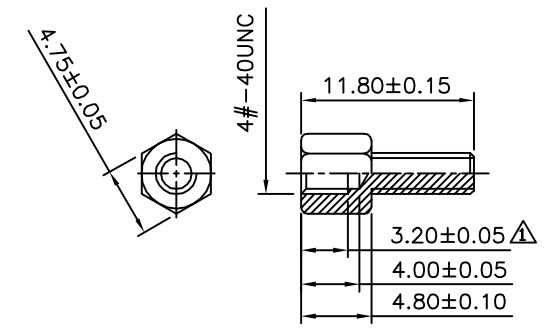
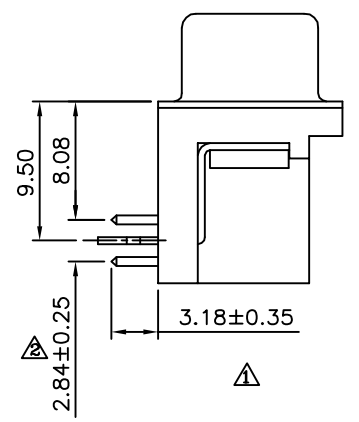
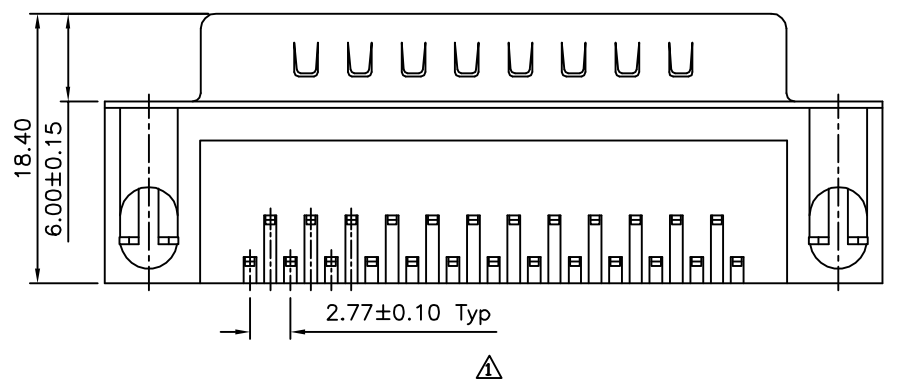
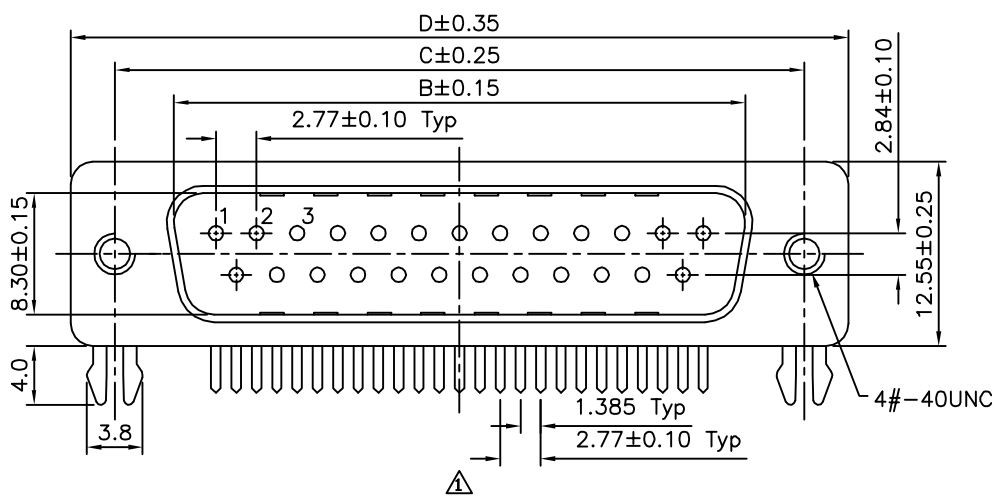
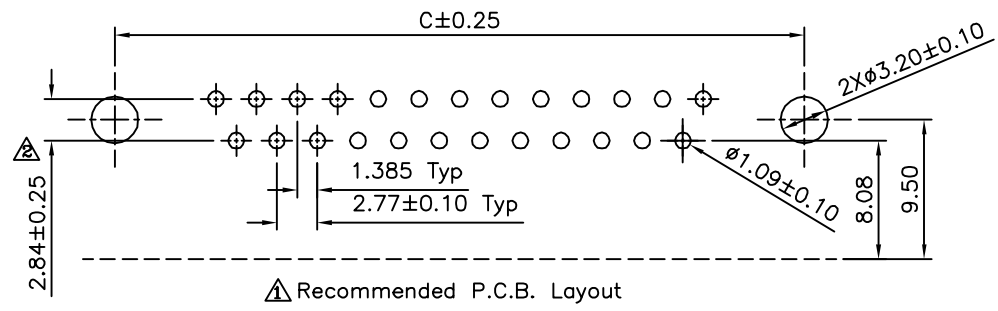


△ SPECIFICATION
 Current Rating: 5 Amps
 Withstanding Voltage: 1000V(One Minute)
 Contact Resistance: 20 Milliohms Max.
 Insulation Resistance: 1000 Megaohms Min.
 At 500V DC
 Operating Temperature: -50°C~+105°C
 Shell: SPCC,Nickel Plated
 Insulator: PBT+30%G.F.(UL94V-0)
 Contact: Brass,Gold Flash On Contact Area,Tin
 Plated On Solder Tail,Under Nickel
 Z Flake:SPCC,Tin Plated
 Rivet:Copper Alloy,Nickel Plated
 Screw:12L14,Nickel Plated
 RoHS Compliant



△ Pin	B	C	D
09	16.92	24.99	30.81
15	25.25	33.32	39.20
25	38.96	47.04	53.04
37	55.42	63.50	69.40



DRAWING No.		APPROVED BY		UNLESS OTHERWISE SPECIFIED TOLERANCES ARE △X ±0.38 .X* ±3* .XX ±0.25 .XX* ±1* .XXX ±0.05 .XXX* ±0.5* UNIT mm
18603		MEI		
		CHECKED BY	HZF	
		DRAWING BY	WSS	
SCALE	NONE	REV.	A2	UNIT mm

NO.	REV.	REVISIONS	CHK	DATE
△ A2		Modify Data	HZF	10/28/2011
△ A1		Modify Data	HZF	04/26/2011
△ A0		NEW RELEASE	HZF	11/28/2006