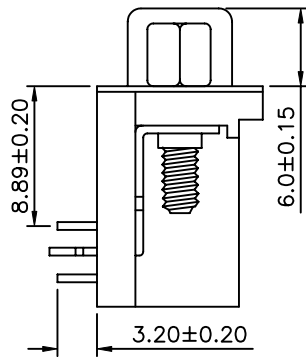
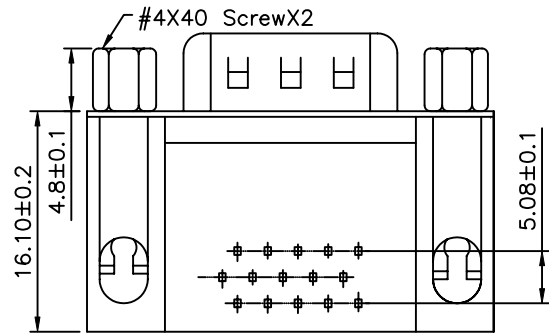


SPECIFICATION
 Current Rating:1A Max
 Dielectric Withstanding Voltage:500V(AC) For 1Minute
 Contact Resistance:30Milliohms Max
 Insulation Resistance:1000Megohms Min At DC 500V
 Total Mating Force:8.0Kgf Max
 Total Unmating Force:1.5Kgf Min
 Temperature Range:-55°C~+105°C
 RoHS Compliant



No.	Name	Q'ty	Material	Remarks&Thickness	Finish
5	Screw	2	Copper Alloy	4.75*11.80mm	Nickel Plated
4	"Z" Type Board-Lock	2	Copper Alloy	T=0.50mm	Tin Plated
3	Front-Shell	1	Cold Rolled Steel	T=0.40mm	Tin Plated
2	Contact	15~62	Copper Alloy	T=0.20mm	Gold Flashed
1	Housing	2	P.B.T	UL94V-0	Black

Contacts	A±0.2	B±0.2	C±0.2	E±0.1
15	30.81	24.99	16.92	2.29
26	39.25	33.32	25.25	2.29
44	53.04	47.04	38.96	2.29
62	69.32	63.50	55.42	2.41



DRAWING No. 02638

APPROVED BY MEI
 CHECKED BY HZF
 DRAWING BY HYY

UNLESS OTHERWISE SPECIFIED TOLERANCES ARE
 .X ±0.3
 .XX ±0.20
 .XXX ±0.100
 ANG. ±1°

SCALE NONE

REV. BO

UNIT mm

BO NEW RELEASE HZF 11/13/2008

NO. REV. REVISIONS CHK DATE