

REV.	DESCRIPTION	DRAWN	CHECKED	APPROVED
A	NEW RELEASE	YCH 03/15/10'		

NOTES:

- ELECTRICAL CHARACTERISTICS:
 - CONTACT RESISTANCE: 20mΩ Max. INITIAL.
 - DIELECTRIC WITHSTANDING VOLTAGE: 500V AC(rms) FOR 1 MINUTE.
 - INSULATION RESISTANCE: 1000MΩ Min.
- ENVIRONMENT CHARACTERISTICS:

TEMPERATURE RANGE: -45°C~+105°C.
- PART NUMBER: YE1034-22
- PRODUCT NUMBER CODE:

YE1034-22- X X X X X X X X

SCREW DIM. A
 S: Standard(W/O nut)
 1: 5.00
 2: 3.00
 3: 5.20
 4: 4.80
 5: 5.80
 6: 4.00
 7: 4.80mm(inside thread M2.6*0.45p, outside thread unc#4-40)

SCREW TYPE
 S: Standard(W/O nut)
 1: CC TYPE
 2: CS TYPE
 3: BR TYPE
 4: BRJ TYPE DIM. B:6.00 C: 3~4mm
 5: BRJ TYPE DIM. B:6.00 C: 5~6mm
 6: BRJ TYPE DIM. B:6.00 C: 3~4mm (inside thread M2.6*0.45P,outside thread unc#4-40)

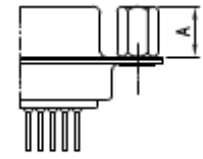
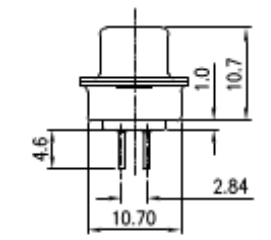
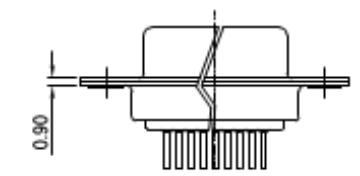
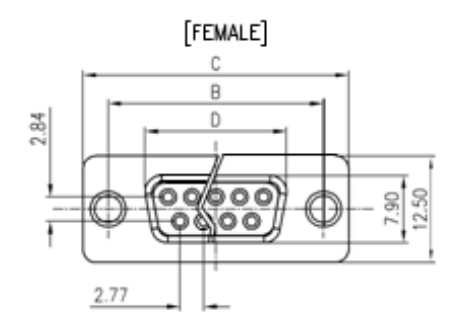
CONTACT PLATING
 B: FULL GOLD FLASH
 C: FULL 3u" GOLD
 J: FULL 5u" GOLD

SHELL PLATING
 T: FORNT & BACK SHELL TIN
 N: FORNT SHELL NICKEL,BACK SHELL TIN

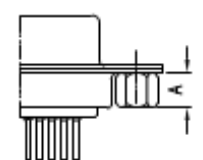
HOUSING COLOR
 B: BLACK
 W: WHITE
 U: BLUE

CONNECTOR TYPE
 M: MALE
 F: FEMALE

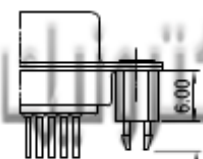
No.OF CONTACTS
 09: 9pos. 25: 25pos.
 15: 15pos. 37: 37pos.



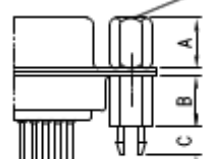
CC TYPE



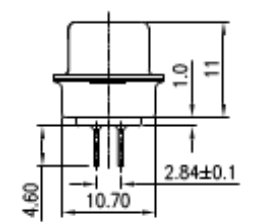
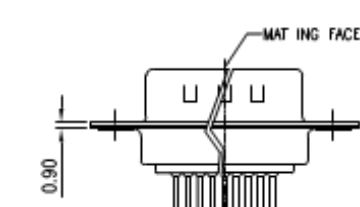
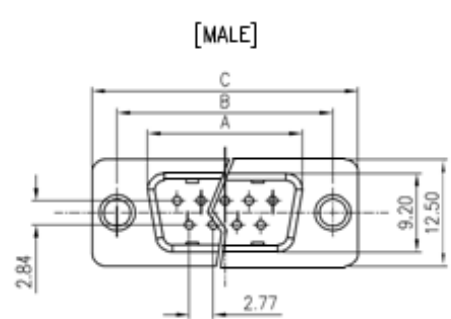
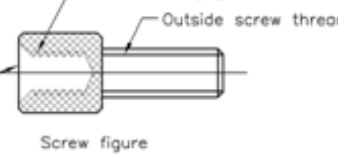
CS TYPE



BR TYPE



BRJ TYPE



Dimension

Position	A±0.2	B±0.2	C±0.3	D
9	17.90	24.99	30.80	16.33
15	26.50	33.32	39.14	24.66
25	40.00	47.04	53.04	38.38
37	56.50	63.50	69.32	54.84

GENERAL TOLERANCE		ANGLE TOLERANCE	
X.	±0.60	X.	±5'
.X	±0.38	.X	±3'
.XX	±0.25	.XX	±2'

PROJECTION	TITLE
UNITS	D-SUB DIP STRAIGHT (MACHINE PIN)TYPE
SHEET SIZE	SERIES YE1034-22 SERIES

DRAWING TYPE	CUSTOMER
SCALE	1:1 SHEET 1 OF 1
DRAWING NO.	C- YE1034-22-XXXXXXX

شركة يكتا إلكترونيك