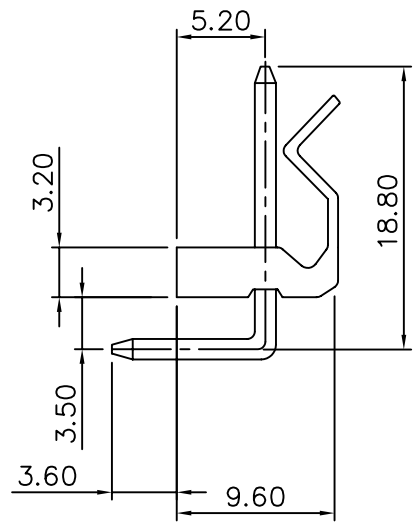
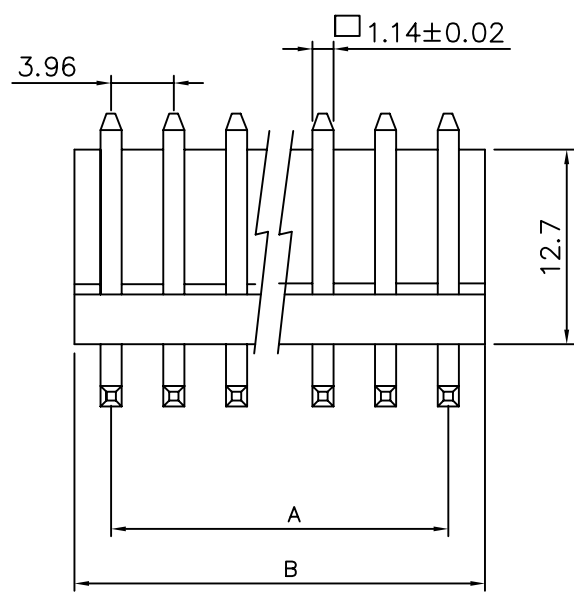


△ SPECIFICATIONS
 Current Rating: 7A AC,DC
 Voltage Rating: 250V AC,DC
 Withstanding Voltage: 1500V AC/Minute
△ Contact Resistance: 10 Milliohms Max.
 Insulation Resistance: 1000 Megohms Min.
 Temperature Range: -25°C To +85°C
 Applicable PC Board Thickness: 1.6mm
 Post: Brass, Tin Plated
 Base: Nylon 66, UL94V-2
 Q'ty: 500,1000 Pcs/Bag



Poles	Dim A	Dim B
2	3.96	8.0
3	7.92	12.0
4	11.88	15.9
5	15.84	20.0
6	19.80	24.0
7	23.76	27.9
8	27.72	31.9
9	31.68	35.8
△ 10	35.64	39.7
11	39.60	43.9
12	43.56	47.8
13	47.52	51.8
14	51.48	55.7
15	55.44	59.8
16	59.40	63.8
17	63.36	67.7
18	67.32	71.7
19	71.28	75.6
20	75.24	79.8



DRAWING No.		APPROVED BY		UNLESS OTHERWISE SPECIFIED TOLERANCES ARE
02166		MEI		
		BECKY		
		DRAWING BY		.X ±0.35
		HZF		.XX
				.XXX
SCALE	NONE	REV.	A2	UNIT mm

NO.	REV.	REVISIONS	CHK	DATE
△ A2		Modfy:20 Milliohms→10 Milliohms	BECKY	06/02/2005
△ A1		Dim.B:39.9→39.7&Add Spec.	BECKY	01/05/2005
△ A		NEW RELEASE	RAN	04/11/2001