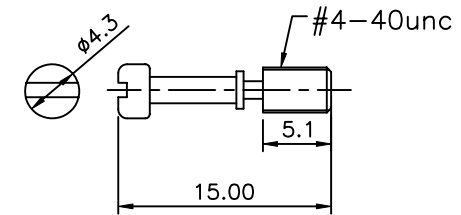
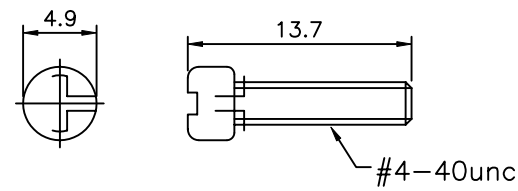
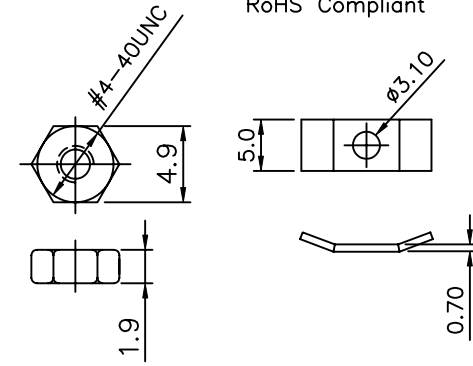
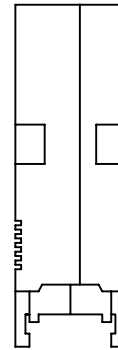
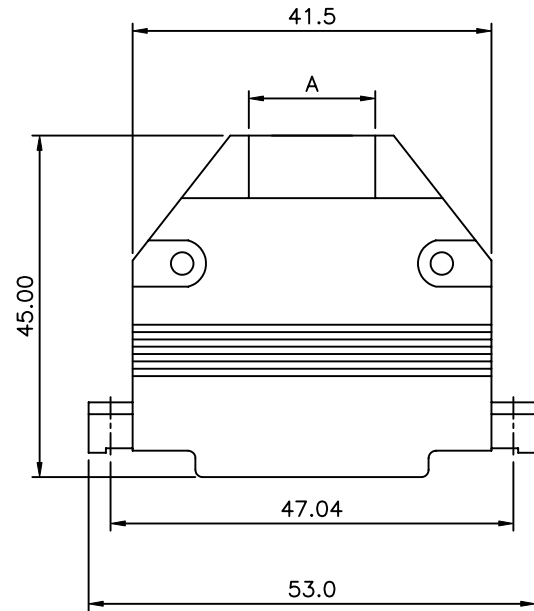


SPECIFICATIONS:

Shell: Zinc Alloy, Nickel Plated Overall
 Accessories (2Pcs/Set): Steel
 Nickel Plated Overall
 A For Cable Dim.
 A: $\phi 6.0$; $\phi 8.0$; $\phi 9.0$; $\phi 10.0$; $\phi 13.0$
 RoHS Compliant



DRAWING No.		APPROVED BY		UNLESS OTHERWISE SPECIFIED TOLERANCES ARE .X ± 0.38 .XX ± 0.25 ANG.
03400		MEI		
		SHIN		
		DRAWING BY		
		INGRID		
SCALE	NONE	REV.	A0	UNIT mm

NO.	REV.	REVISIONS	CHK	DATE
AO		NEW RELEASE	SHIN	06/07/2007