

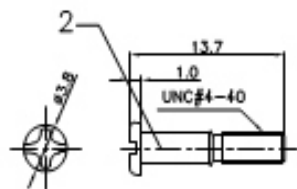
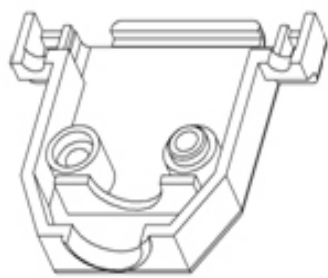
REV.	DESCRIPTION	DRAWN	CHECKED	APPROVED
A	NEW RELEASE	LJH 05/18/05'	~	LJC 05/18/05'
B	整理图面	YCH 09/13/07'	~	LJC 09/13/07'
C	整理英制标准尺寸	YCH 07/18/08'	~	LJC 07/18/08'
D	增加"个包装"类型	YCH 05/20/10'	~	

NOTES:

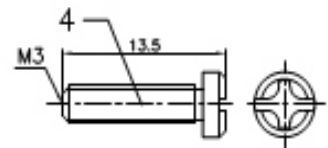
1. Hardwares are all Nickel plated.
2. PART NUMBER CODE:

YE 1045 - 15 X X X X X

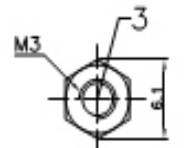
- Washer type
- 1: Metal
- 2: Plastic-1(Lock type)
- 3: Plastic-2(Screw type)
- Bolt type
- L: Long
- S: Short
- Packing type
- 1: Mix packing
- 2: Separation packing
- Q: Full packing
- Cover Material
- P: Plastic(ABS)
- Cover Color
- A: Gray
- B: Black
- V: Ivory
- Position
- 15: 15pin



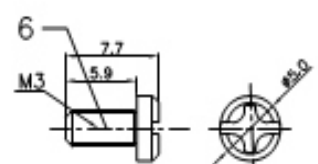
Short BOLT



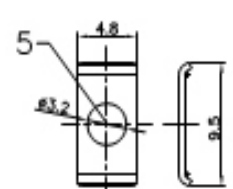
LONG SCREW



NUT t=2.3mm



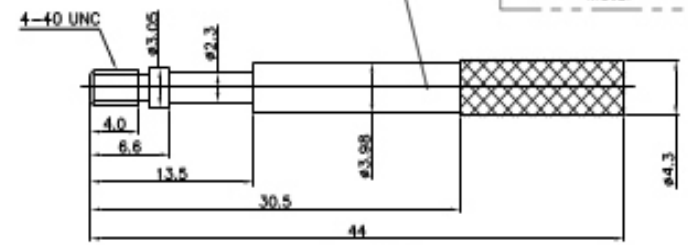
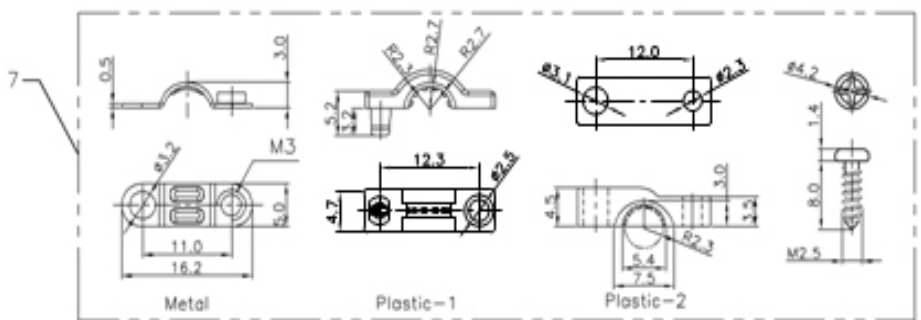
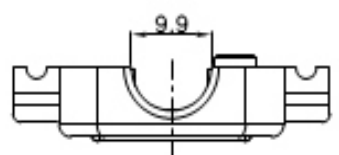
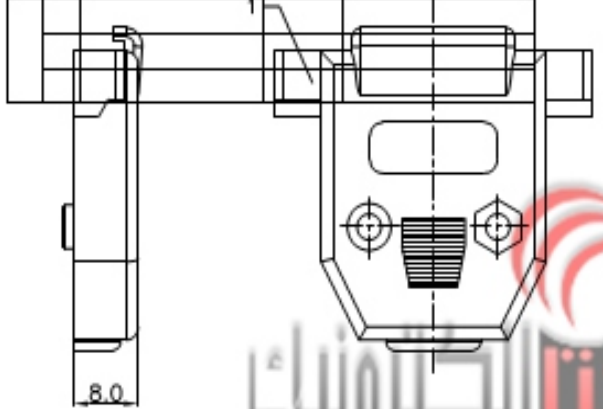
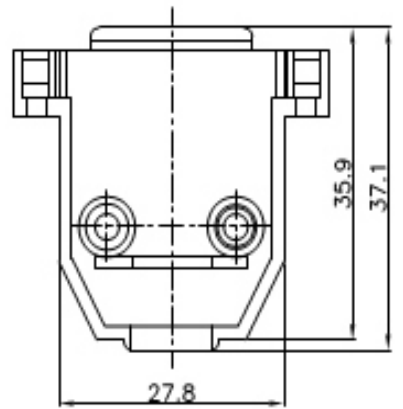
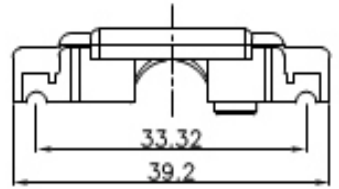
SHORT SCREW



SMALL WASHER

POM LISI

ITEM	PART NAME	QTY	NOTE
1	PLASTIC HOOD	2	APS
2	LONG POLI	2	#4-10
2	SHORT POLI	2	#4-10
3	NUT	2	M3
4	LONG SCREW	2	M3
5	SMALL WASHER	2	
6	SHORT SCREW	2	M3
7	METAL WASHER	2	M3
7	PLAS C 1 WAS TP	2	APS
7	PLAS C 2 WAS TP	2	APS



Long BOLT

GENERAL TOLERANCE		ANGLE TOLERANCE	
X.	±0.60	X.	±5°
.X	±0.38	.X	±3°
.XX	±0.25	.XX	±2°

DRAWING TYPE	CUSTOMER	
SCALE	1:1	SHEET 1 OF 1
DRAWING NO.	C-YE 1045-15XXXXX-D	

PROJECTION	TITLE
UNITS	D-SUB 15pin Hood
SHEET SIZE	A4
SERIES	YE 1045 SERIES

شركة يكتا الكترونيك

