

REV.	DESCRIPTION	DRAWN	CHECKED	APPROVED
A	NEW RELEASE	LJH 10/26/05'	~	LJC 10/26/05'
B	整理图画	YCH 09/13/07'	~	LJC 09/13/07'
C	整理英制制螺絲尺寸	YCH 07/18/08'	~	LJC 07/18/08'
D	增加"个包装"类型	YCH 05/20/10'	~	

POM LISI

ITEM	PART NAME	QTY	NO. OF
1	PLASTIC HOOD	2	APS
2	LONG POLI	2	// 1-10
2	SHORT POLI	2	// 1-10
3	NUT	2	M3
4	LONG SCREW	2	M3
5	SMALL WASHER	2	
6	SHORT SCREW	2	M3
7	METAL WASHER	2	M3
7	PLAS C-1 WAS CR	2	APS
7	PLAS C-2 WAS CR	2	APS

NOTES:

1. Hardwares are all Nickel plated.
2. PART NUMBER CODE:

YE1045-25 XXXXX

Washer type  
 1: Metal  
 2: Plastic-1(Lock type)  
 3: Plastic-2(Screw type)

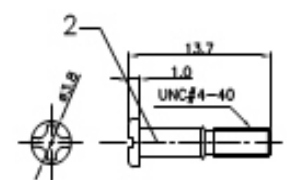
Bolt type  
 L: Long  
 S: Short

Packing type  
 1: Mix packing  
 2: Separation packing  
 Q: Full packing

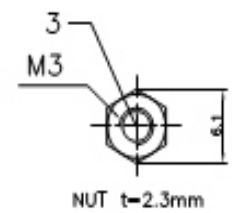
Cover Material  
 P: Plastic(ABS)

Cover Color  
 A: Gray  
 B: Black  
 V: Ivory

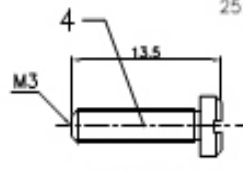
Position  
 25: 25pin



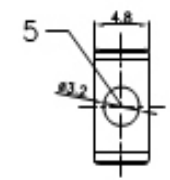
Short BOLT



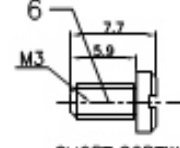
NUT t=2.3mm



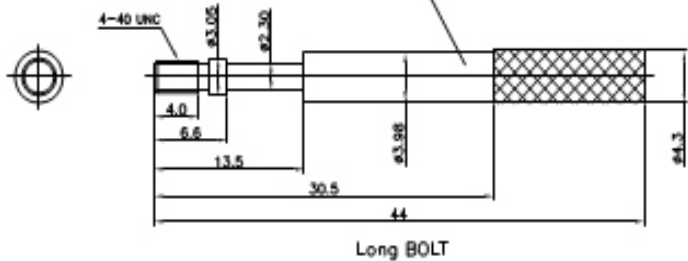
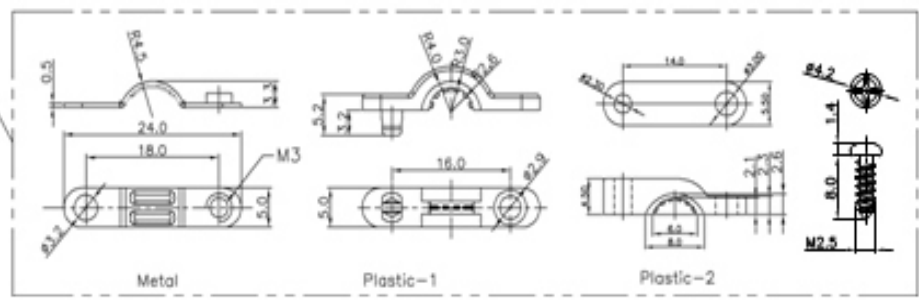
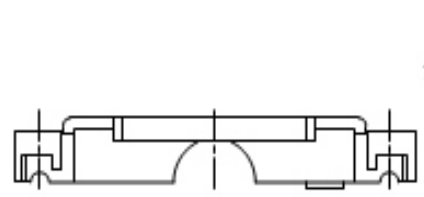
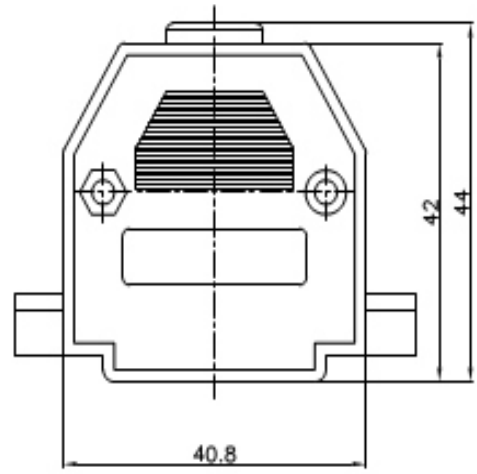
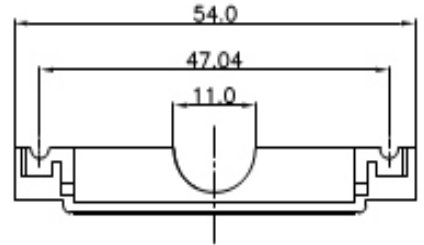
LONG SCREW



SMALL WASHER



SHORT SCREW



Long BOLT

GENERAL TOLERANCE		ANGLE TOLERANCE	
X.	±0.60	X.	±5'
.X	±0.38	.X	±3'
.XX	±0.25	.XX	±2'

DRAWING TYPE	COSTOMER		
SCALE	1:1	SHEET	1 OF 1
DRAWING NO.	C-YE 1045-25XXXXX-D		

PROJECTION	TITLE
UNITS	D-SUB 25pin Hood
SHEET SIZE	SERIES YE 1045 SERIES

شركة يكتا الكترونیک

