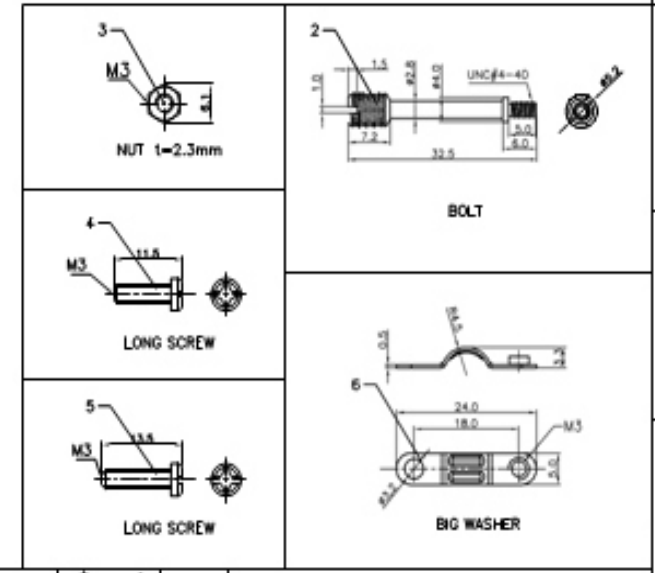
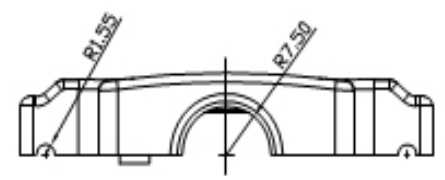
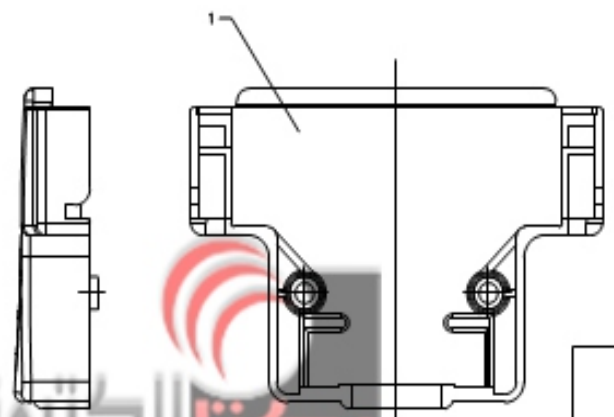
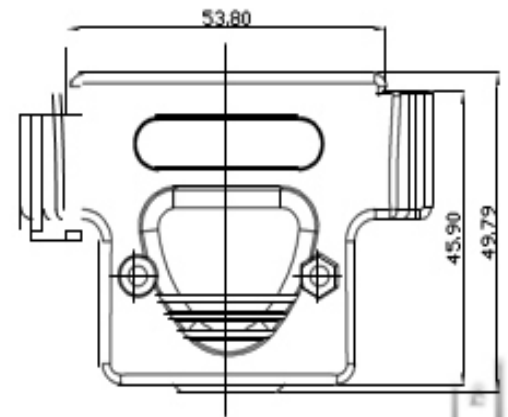
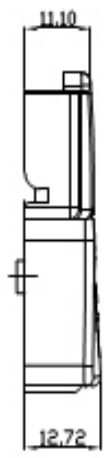


REV.	DESCRIPTION	DRAWN	CHECKED	APPROVED
A	NEW RELEASE	YCH 05/24/11'	~	



NOTES:
 1. PART NUMBER CODE:
 YE1045 - 50 XXXX

- Packing type
 1: Mix packing
 2: Separation packing
- Cover Color
 A: Gray
 B: Black
- Cover Material
 P: Plastic(ABS)
- Position
 50: 50pin



TM	PMP NAME	QTY	NO TS
1	PLAS C 000	2	APS
2	PO	2	Ø 0
3	NU	2	M3
	M3 10 SCPTW	2	M3
5	M3 12 SCPTW	2	M3
6	P G WAS TP	2	M3

GENERAL TOLERANCE	ANGLE TOLERANCE
X. ±0.60	X. ±5°
.X ±0.38	.X ±3°
.XX ±0.25	.XX ±2°

PROJECTION	TITLE
	D-SUB 50pin HOOD
UNITS	mm
SHEET SIZE	A4
SERIES	YE 1045 SERIES

DRAWING TYPE	CUSTOMER
SCALE	1 OF 1
DRAWING NO.	C: YE 1045-50XXX

شركة يكتا الكترونيك

