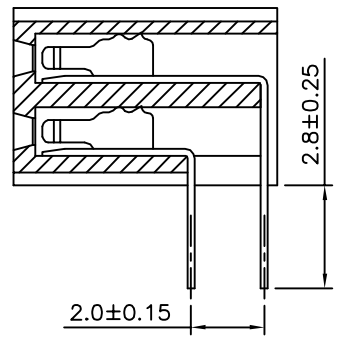
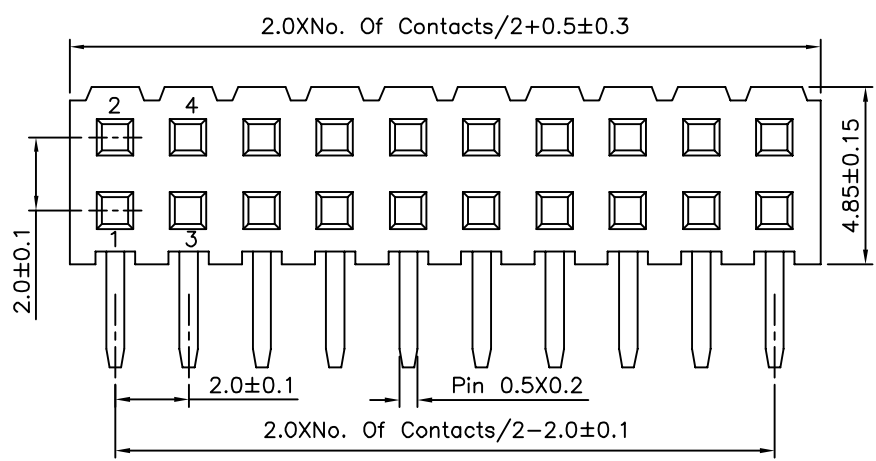
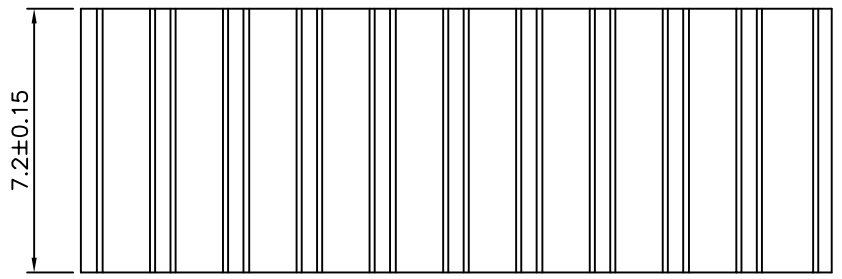


Recommended P.C.B. Layout

SPECIFICATION
 Current Rating:1.5 Amp
 Withstand Voltage:500V AC
 Contact Resistance:20 Milliohms Max.
 Insulation Resistance:1000 Megaohms Min.
 Operation Temperature:-40°C~+105°C
 Insulator:PA6T(UL94V-0),Black
 Contact:Brass,Gold Plated Over Nickel
 RoHS Compliant



DRAWING No.		APPROVED BY		UNLESS OTHERWISE SPECIFIED TOLERANCES ARE >80 ±1.20 25~80 ±0.15 5~25 ±0.10 <5 ±0.05 ANG. ±0.03°
00412		EMILY		
		CHECKED BY		
		HZF		
		DRAWING BY		UNIT mm
		GAO		
SCALE	NONE	REV.	A0	NO.

NO.	REV.	REVISIONS	CHK	DATE
△ A0		NEW RELEASE	HZF	12/25/2012