

REV.	DESCRIPTION	DRAWN	CHECKED	APPROVED
A	NEW RELEASE	LJH 05/09/05'		

NOTES:

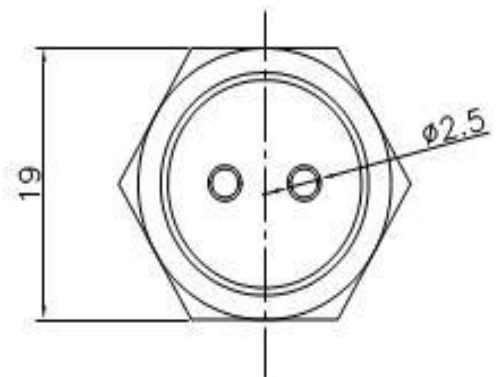
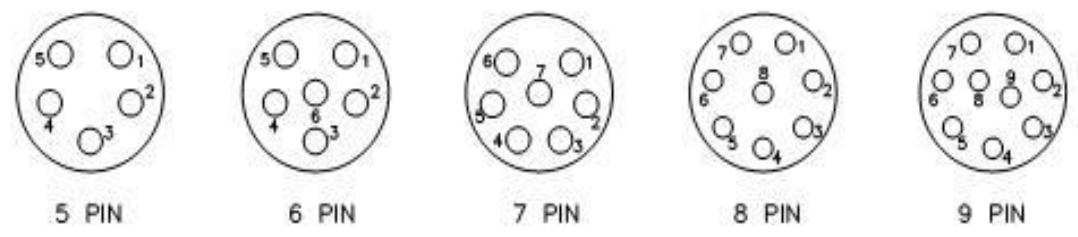
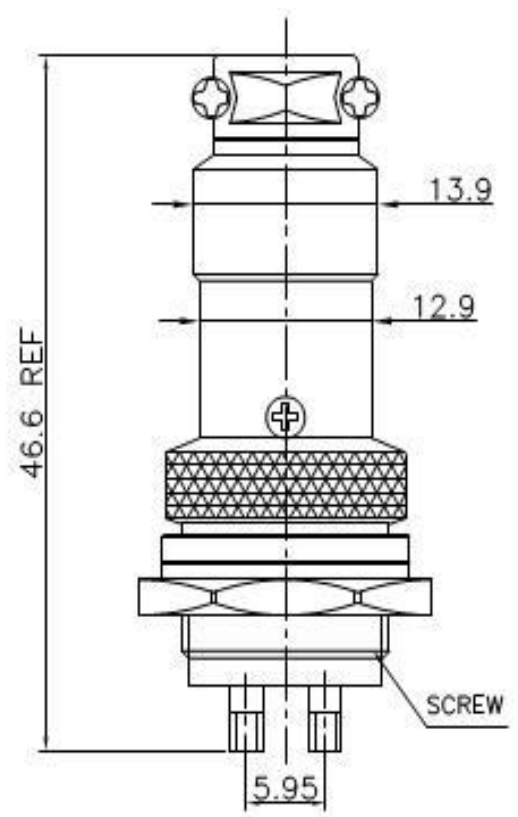
1.SPECIFICATION

- .CURRENT RATING: 5A Max.
- .DIELECTRIC WITH STANDING VOLTAGE: 500V(AC)
- .CONTACT RESISTANCE: 50mΩ Max.
- .INSULATION RESISTANCE: 1000MΩ(DC)Min

2.PRODUCT NUMBER CODE:

YE1110 - X X X

- CONTACT PLATING
6: TIN
- COLOR OF HOUSING:
W: WHITE
B: BLACK
- No. OF CONTACTS
2 3 4 5 6 7 8 9



GENERAL TOLERANCE		ANGLE TOLERANCE		PROJECTION		TITLE	MICRO JACK CONNECTOR		
X.	±0.60	X.	±5°	UNITS	mm	SERIES	YE 1110 SERIES		
.X	±0.38	.X	±3°	SHEET SIZE	A4				
.XX	±0.25	.XX	±2°						
DRAWING TYPE		CUSTOMER			شركة يكتا الكترونيك 				
SCALE	1:1	SHEET	1 OF 1						
DRAWING NO.	C-YE 1110-XXX								